

## ELECTROMECHANICAL LOCK SAM 7255 AND SAM 9235

Self-locking locks with panic mode are typically installed in wooden doors (type 72/55) or to metal doors (type 92/35) with high security. When the doors are closed, the lock is always engaged. To open the door from the outside, you need a key or electric impulse from a connected 2N IP intercom or reader, which ensures the door handle is fully functional. If such an impulse is not sent to the lock, the door handle is movable, but the door cannot be opened. Panic mode works on the inner side of the door, which means the lock is unlocked, and the door opens by merely pushing the door handle. This is a typical solution for emergency exits.

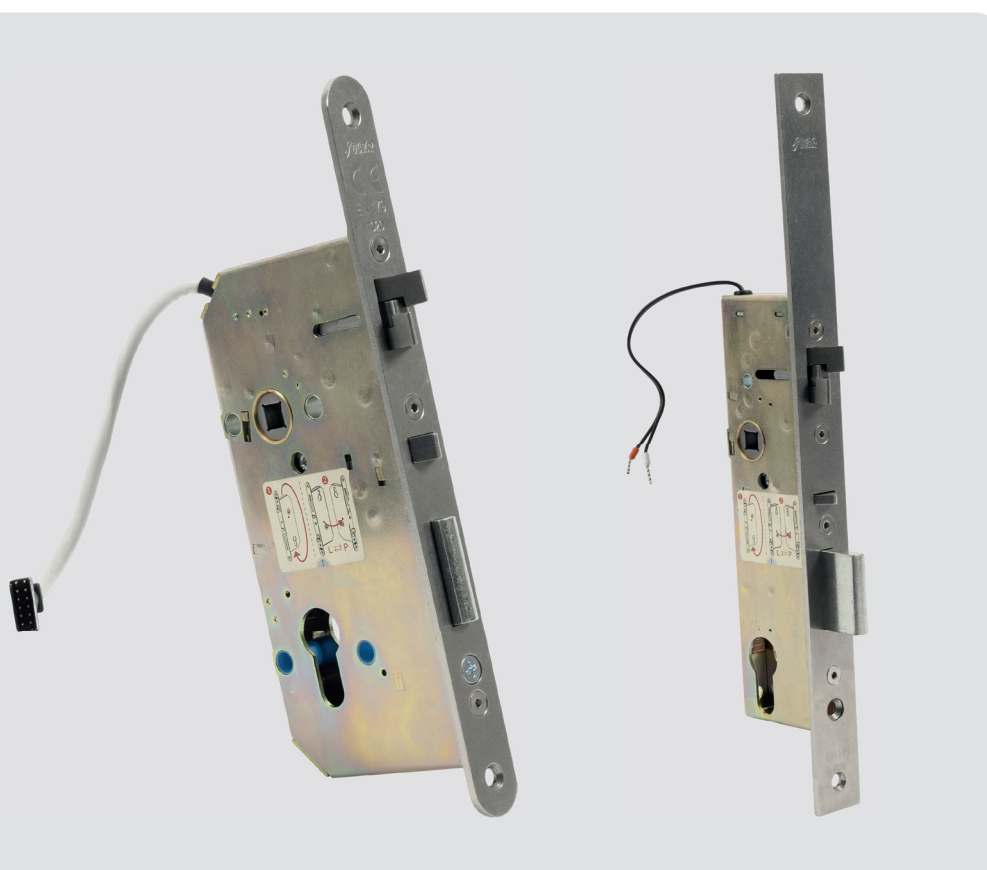
### VARIANTS:

Electromechanical lock SAM 7255 ... 11202201

Electromechanical lock SAM 7255 with monitoring ... 11202201-M

Electromechanical lock SAM 9235 ... 11202202

Electromechanical lock SAM 9235 with monitoring ... 11202202-M



## TECHNICAL PARAMETERS (72/55):

Lock dimensions:	170 x 80 x 15 mm
Dormas door handle - front side of lock:	55 mm
Door handle - lock span:	72 mm
Standard front side of lock:	230 x 22 x 3 mm, R11, stainless

## TECHNICAL PARAMETERS (92/35):

Lock dimensions:	180 x 50 x 15 mm
Dormas door handle - front side of lock:	35 mm
Door handle - lock span:	92 mm
Standard front side of lock:	270 x 22 x 3 mm, R11, stainless

## COMMON FOR BOTH:

Square prism:	8 x 8 mm split square prism
Lock design:	left / right
Panic function:	YES

## ELECTROTECHNICAL DATA:

solenoid 10 - 24V DC / 250mA (for 10V)

with protection against reversing polarity

WITHOUT acoustic signaling system

terminal connector

three microswitches for status signaling: gates  
door handle, which unlocks the lock  
self-locking trigger

## CERTIFICATIONS

ČSN EN 1627:2012 CLASS RC3

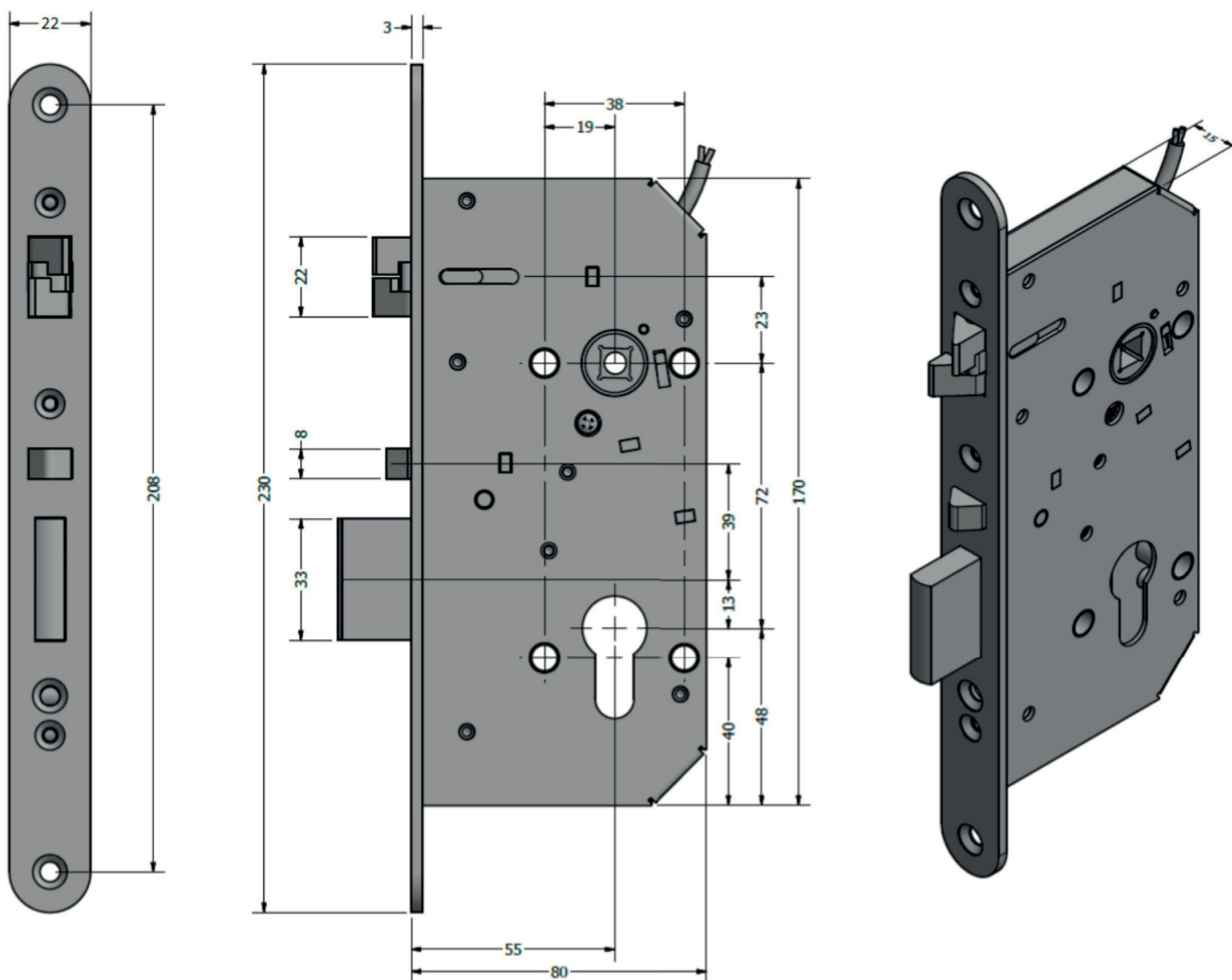
ČSN EN 179:2008 CLASS 376B1322AB/D

ČSN EN 1125:2008 CLASS 376B1321AB

ČSN EN 14846:2008 CLASS 3S8A-L613

# TECHNICAL DRAWINGS:

Valid for the following order numbers: 11202201, 11202201-M



# TECHNICAL DRAWINGS:

Valid for the following order numbers: 11202202, 11202202-M

