

Weatherproof VoIP-Telephone ResistTel IP2

IP telephone for indoor and outdoor use



Overview

With approved technology of FHF, the ResistTel IP2 is suitable for outdoor installations.

The new ResistTel IP2 is the ideal device for every weather and a number of different operation sites – no matter if exposed to seawater, high humidity or extensive mechanical strain.

The housing is made of impact and shock-resistant GRP and even resistant to acids, alkali and lubricants.

Its robust design represents a perfect „packaging“ for the latest requirements for VoIP telephones combined with proven reliability for critical mission communications and high safety applications.

The ResistTel IP2 is designed to provide ultimate user comfort on the basis of industrial standards and decades of market leading expertise and know-how. It features a display with integrated heating for ultra low temperature environments.

Features

- Ingress protection IP 66 according to IEC60529
- Ambient temperature -40 °C to +70 °C (heated display)
- Ring tone ≥ 95 dB(A) in 1 m distance
- Pixel-based illuminated LCD display
- Stainless steel alphanumeric keypad
- Web-based monitoring (operating, handset, hands-free, ringing)
- User-friendly menu structure
- Standard protocols H.323, SIP, TSIP, SIPS
- Power supply: PoE or external
- Connection to 10/100-BASE-T Ethernet
- Hands-free operation

EATON

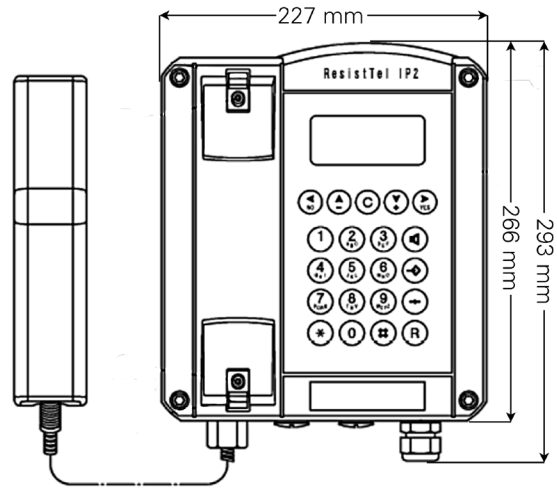
Powering Business Worldwide



General arrangement drawing (all dimensions in mm)

Specifications

| | |
|--|--|
| Power supply | Power over Ethernet according to IEEE 802.3af via external 48 V DC PoE power supply (44 V min., 57 V max.) |
| Voltage external power supply without optional galvanically separated inputs | 15 V-57 VDC |
| Voltage external power supply with optional galvanically separated inputs | 21.5 V-57 VDC |
| Power consumption | 13 W |
| Connection | RJ45 Port (10/100 Mbit/s) |
| Ringing volume | Max. approx. 95 dB(A) in 1 m distance |
| Housing Material | Glass fibre-reinforced polyester |
| Height x width x depth | Approx. 293 mm x 227 mm x 135 mm |
| Weight | Approx. 5 kg |
| Display | 182 x 64 pixels |
| Operating position | Vertical wall mounting |
| Ringing volume | Approx. 95 dB(A) in 1 m distance |
| Relay (optional) switching capacity | 240 VAC 6 A 24 VDC 6 A 32 VDC 5 A 48 VDC 1 A |
| Receiver Stabilization bracket | Standard equipment |
| Earpiece | Dynamic capsule with magnetic field generator |
| Mouthpiece | Electret microphone |
| Environmental conditions Ingress protection | IP 66 according to EN60529 |
| Impact protection | IK 09 according to EN50102 |
| Operating temperature | -40 °C to +70 °C |
| Transport and storage | -40 °C to +70 °C |



Technical features

| | |
|--------------------------|---|
| Protocols | H.323, SIP, TSIP, SIPS |
| General | H.323 Version 4 including H. 225, H.235, H.245 and RAS Gatekeeper routed Signalling, H.450, Session Initiation Protocol (SIP) RTP, SRTP Real Time Protocol – for voice data transmission |
| RTCP | Real Time Control Protocol – first level of „Quality of Service“ |
| RAS protocol | Support for external gatekeeper |
| DTMF | H.245 „Alphanumeric“ or „Signal Type“ |
| Additional VoIP features | H.245 fast connect Enblock dialing overlapped sending |
| Security | Encoded password authentication according to H.235 |
| Quality of Service | Prioritization of IP packages over TOS and DiffServ, VLAN priority according to IEEE 802.1p/802.1q |
| Voice codecs | G.711 A-law/μ-law (64 kbps), G.729A (16 kbps) |
| Echo compensation | G.168 |
| Access | Via HTML Web Browser, Password-protected with secure authentication |
| Troubleshooting | Log and trace files, status displays of interfaces a connections of interfaces and connections Ping connection test for internet protocol, sending of SNMP traps |
| Updates | Configuration recording/reading, Boot code and firmware update via HTML upload Automatic update via update server |
| DSL access | PPPoE protocol |
| VPN | Tunneling with PPTP encoding via MPPE |
| NAT | Network Address Translation – for translation of official IP addresses into non-official addresses and vice versa |
| DHCP | Dynamic Host Configuration Protocol – IP interfaces settings |
| ICMP | Internet control Message Protocol – for Ping Tests |
| Call Tone Generation | Automatic call tone generation according to European and US standard |
| Call Transfer | Call Transfer, in all usual variants: with/without consultation call, before/after answer etc. |
| Call Diversion | Call diversion/redirection |
| Hold | Call hold/retrieve |
| Call Waiting | Call Waiting, with respective indication to calling subscriber |
| Message | Message display on telephone |
| Pickup | Display indicating that a call can be picked up |
| Pickup List | Display listing the calls which can be picked up |
| Name Display | To determine the displayed name |
| Callback | Call Completion, with all common variants such as call back when busy and call back when free |
| Three-party Conference | Conference with 3 subscribers, also external subscribers |
| Caller ID | For separate indication of call numbers or groups |
| Multiple registration | Up to 6 registrations |
| Telephone book | Automatic availability of all registrations in central telephone book, Integration of external data bases via LDAP |
| Time | Exact time information via time server access |

Accessories



Headset



TWIN



Protection hood

Ordering data

* The full article number for the TWIN is made up by appending the colour code to the article numbers given below.

| Type | Designation | Model | Article number |
|---------------|----------------|--|-------------------|
| ResistTel IP2 | VoIP Telephone | black | FHF 112 643 80 |
| ResistTel IP2 | VoIP Telephone | black, with 2 nd LAN connection | FHF 112 643 81 |
| ResistTel IP2 | VoIP Telephone | black, with relay contact | FHF 112 643 82 |
| ResistTel IP2 | VoIP Telephone | black, with 2 nd LAN connection and relay contact | FHF 112 643 83 |
| ResistTel IP2 | VoIP Telephone | red | FHF 112 643 80 02 |
| ResistTel IP2 | VoIP Telephone | red, with 2 nd LAN connection | FHF 112 643 81 02 |
| ResistTel IP2 | VoIP Telephone | red, with relay contact | FHF 112 643 82 02 |
| ResistTel IP2 | VoIP Telephone | red, with 2 nd LAN connection and relay contact | FHF 112 643 83 02 |

| | |
|-------------|----|
| transparent | 01 |
| red | 02 |
| amber | 03 |
| green | 04 |
| blue | 05 |

Accessories

| | | | |
|--|--------------------------------------|--------------------------------------|-----------------|
| | Headset | | FHF 112 643 04 |
| | TWIN | only for variants with relay contact | FHF 118 832 ..* |
| | Telephone Hood Model 404 | galvanized steel, yellow | FHF 118 901 01 |
| | Telephone Hood Model 404 | stainless steel | FHF 118 901 11 |
| | Telephone Hood Model 404 | synthetic material, orange | FHF 118 901 12 |
| | Telephone Hood Model 404 | synthetic material, yellow | FHF 118 901 13 |
| | Telephone Hood Model 404 | galvanized steel, red | FHF 118 901 14 |
| | Telephone Hood Model 404 | synthetic material, red | FHF 118 901 15 |
| | Telephone Hood Model 404 | GRP, yellow | FHF 118 901 22 |
| | Telephone Hood Model 404 | GRP, orange | FHF 118 901 23 |
| | Floor mounting console for Model 404 | yellow | FHF 118 901 03 |

Accessories are not available as DNV variants.